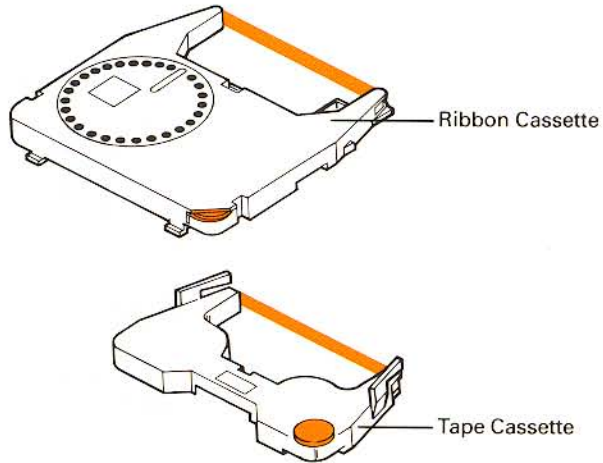


Ribbon Cassette System

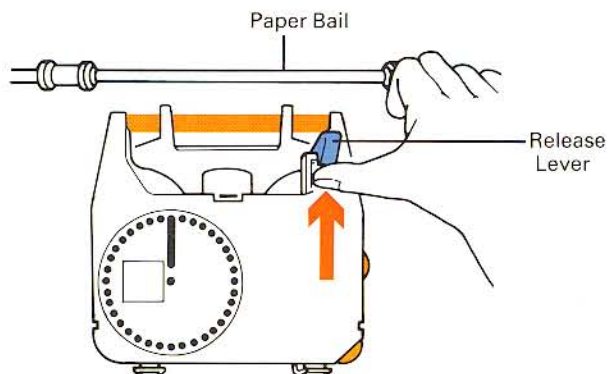
Introduction

The ribbon and tape cassettes fasten together. To change one of the cassettes, remove both cassettes from the typewriter, throw away the used ribbon or tape cassette, and reassemble with a new ribbon or tape cassette.

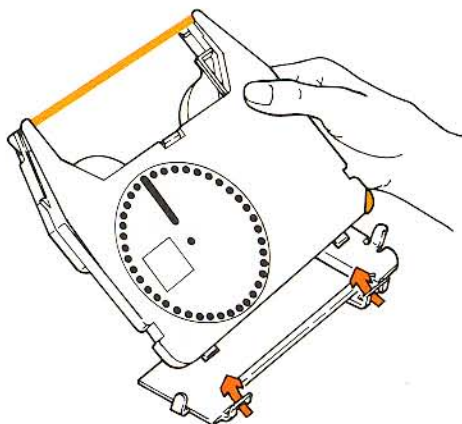


Removing the Cassettes

1. Lift up the typewriter cover.
2. Make sure the paper bail is against the platen.
3. Push the release lever until the cassettes release.



4. Lift the cassettes up and out of the typewriter.

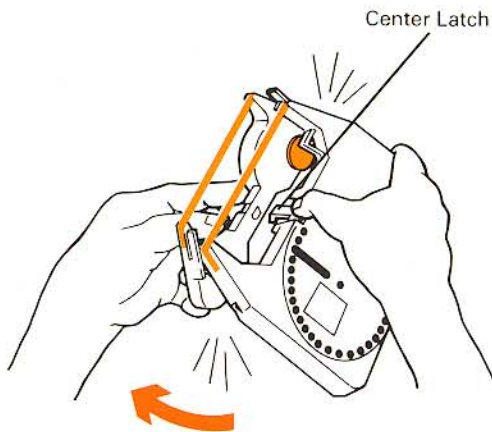


Note: When you install the ribbon, you may need to space or backspace to move the carrier away from the first or last mark on the margin/pitch scale. If you are in storage, you may need to erase these spaces or backspaces.

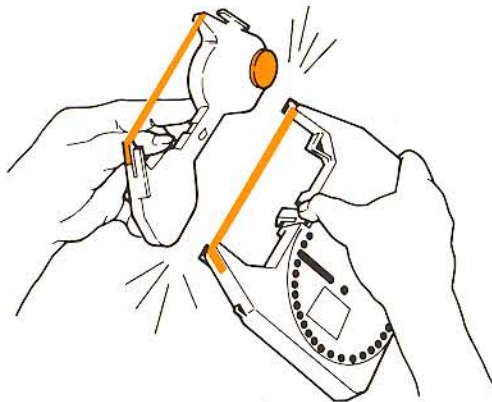
Ribbon Cassette System

Separating the Cassettes

1. Hold the cassettes as shown and press on the top of the center latch.



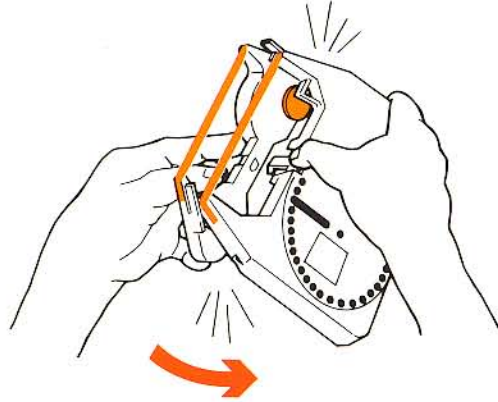
2. Slide the cassettes apart.
3. Throw away the used cassette.



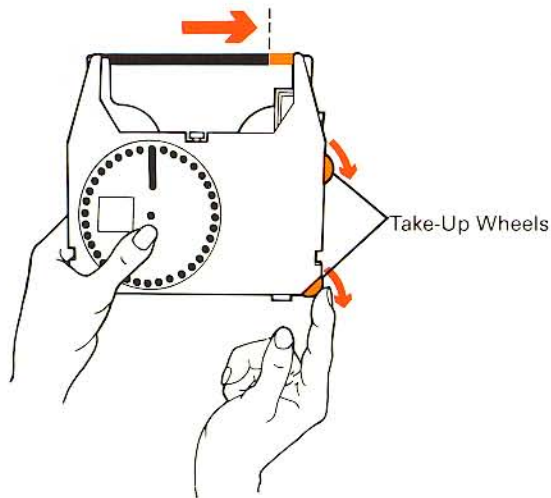
Ribbon Cassette System

Latching the Cassettes Together

1. Slide the ribbon cassette onto the tape cassette.
2. Be sure the center latch latches on the correction cassette.

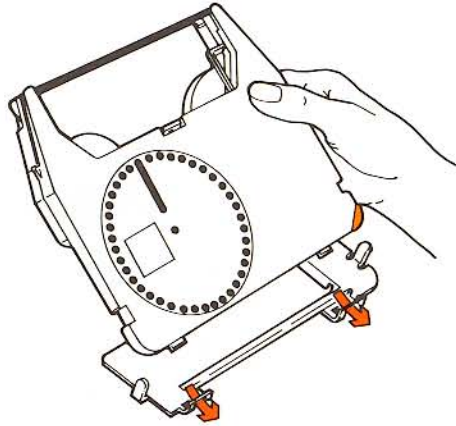


3. Before installing the cassettes in the typewriter, turn the take-up wheels to advance the ribbon and tape. Move the orange or blue leader past the center.

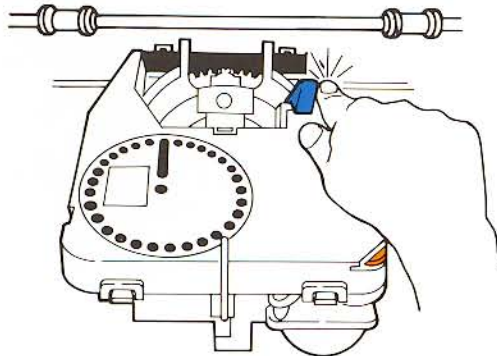


Installing the Cassettes

1. After you latch the cassettes together, install them in the typewriter.

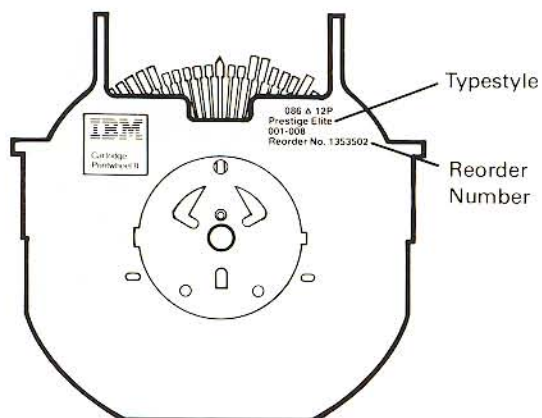


2. Push down on the right corner of the ribbon cassette to snap it into place.



Introduction

The IBM Cartridge Printwheel II is available in several different types and pitches. Some of the available types are listed on page 5-12. The illustration below shows where to find the type and reorder number on the printwheel.



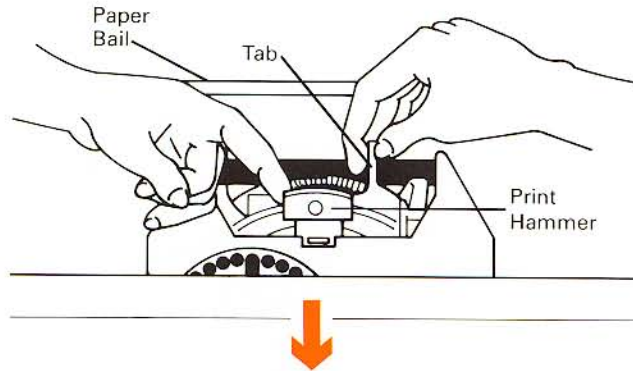
To order new or replacement printwheels, refer to "Ordering Procedures" on page 5-13.

Removing the IBM Cartridge Printwheel II

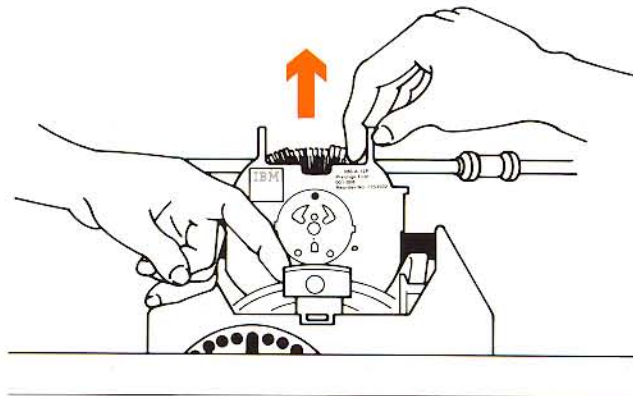
CAUTION

To prevent unwanted carrier motion, make sure the paper bail is against the platen.

1. Pull the print hammer toward you and hold it.
2. While you are holding the print hammer, grasp the printwheel tab.

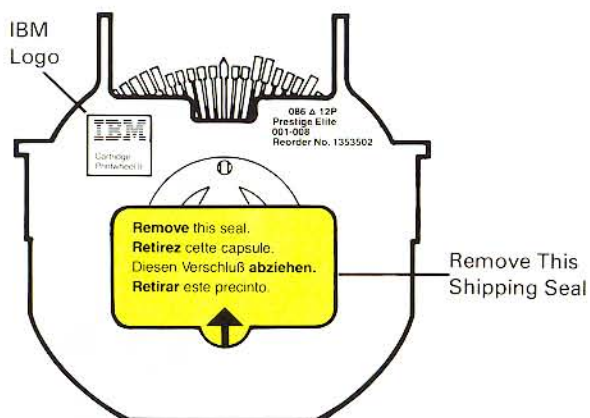


3. Lift the printwheel straight up and out of the slot.
4. Release the print hammer.



Installing the IBM Cartridge Printwheel II

Important: Remove the yellow shipping seal from the center of a new printwheel before installing.



When installing the IBM Cartridge Printwheel II, make sure the IBM logo is facing you. Read the information on the upper right corner to verify you have the desired pitch and typestyle.

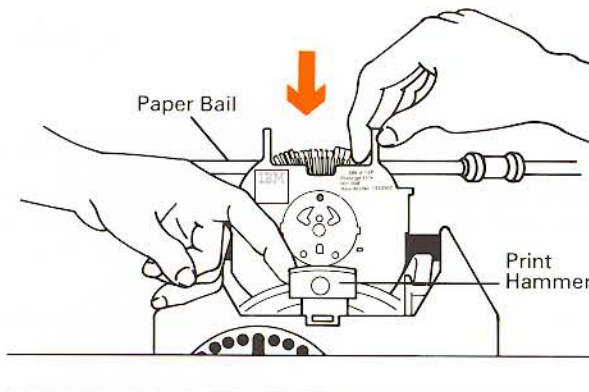
Your typewriter automatically sets the pitch to match the printwheel.

Installing the Printwheel (continued)

CAUTION

To prevent unwanted carrier motion, make sure the paper bail is against the platen.

1. Hold the printwheel so the IBM name is in the upper left corner.
2. Pull and hold the print hammer toward you.
3. Slide the printwheel into the slot.
4. After the printwheel touches the bottom of the slot, release the print hammer.
5. Press the **Code** key:
 - The printwheel spins.
 - If the printwheel is a different pitch, the carrier moves to adjust for the pitch change.
 - Be sure to always press **Code** after changing the printwheel and make any print position adjustments using **Spacebar**, **Backspace** or **Bksp 1**.



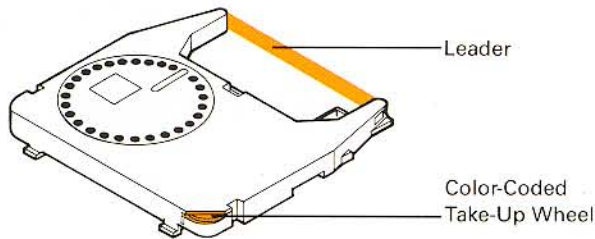
Ribbons

To order an IBM ribbon, see "Ordering Procedures" on page 5-13.

IBM EASYSTRIKE Correctable Ribbon Cassette

Reorder Numbers:
1337761 (black)
1337762 (brown)
1337763 (blue)

This ribbon is for general correspondence applications, and typing with three copies or less produces the best results. It is not recommended for typing negotiable items, such as checks. Your first or original sheet should be a smooth surface, 20-pound soft paper, such as good OCR or bond paper. Typestyles larger than Courier may not produce uniform type with this ribbon. For larger typestyles, use the IBM EASYSTRIKE Multipurpose Ribbon Cassette, reorder number 1337764.

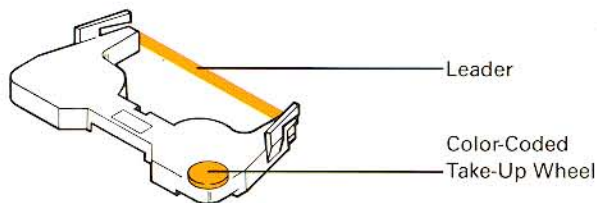


IBM EASYSTRIKE Lift-Off Tape Cassette

Reorder Number:
1337765

The lift-off tape is designed to be used with the IBM EASYSTRIKE Correctable Ribbon Cassette. The lift-off tape lifts incorrect characters from the paper.

Note: Be sure to match the appropriate tape and ribbon. The take-up wheels and leaders are color-coded orange for your convenience.

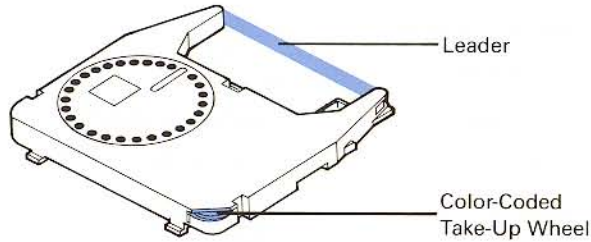


Ribbons (continued)

IBM EASYSTRIKE Multipurpose Ribbon Cassette

Reorder Number:
1337764
(black only)

This ribbon provides a high-quality, uniform image on a broader range of papers. Type-styles larger than Courier work well with this ribbon. This ribbon is recommended for typing negotiable items, such as checks.

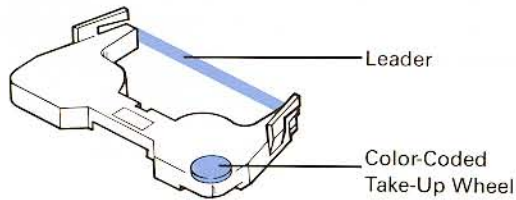


IBM EASYSTRIKE Cover-Up Tape Cassette

Reorder Number:
1337766

The cover-up tape is designed to be used with the IBM EASYSTRIKE Multipurpose Ribbon Cassette. It covers the incorrect characters. It is not satisfactory for making corrections on direct-image offset masters.

Note: Be sure to match the appropriate tape and ribbon. The take-up wheels and leaders are color-coded blue.



Printwheels

To order an IBM Cartridge Printwheel II, see "Ordering Procedures" on page 5-13.

IBM Cartridge Printwheel II Typestyles and Pitches

10 Pitch	12 Pitch	15 Pitch	PS
Advocate	Adjutant	Courier 15	Boldface
Artisan 10	Artisan 12	Gothic 15	Essay
Bookface Academic	Auto Elite	Prestige 15	Essay Italic
Courier 10	Courier 12	Symbol 15*	Modern
Delegate	Courier 12 Italic		
Manifold	Dual Gothic		
OCR-A	Elite		
OCR-B	Large Elite		
Pica	Letter Gothic		
Prestige Pica	Light Italic		
Printing and Publishing No. 3 OCR	Olde World Prestige Elite		
Rhetoric	Scribe		
Rhetoric Presentor	Script		
Symbol 10*	Symbol 12*		
	Symbol II*		

*For best results, use a symbol printwheel that matches the pitch of your regular printwheel. For example, use Symbol 12 with 12-pitch typestyles.